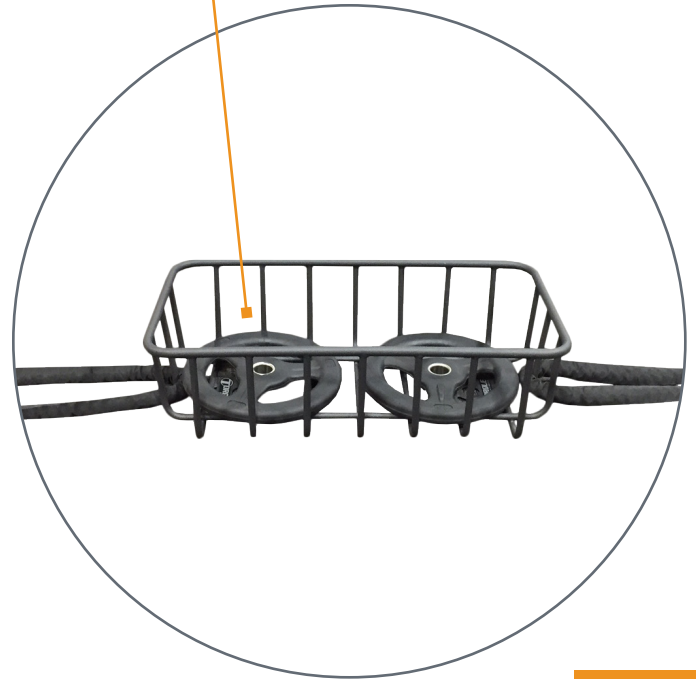


Group Anchor Station (XGAS) allows up to eight battle rope anchor positions.

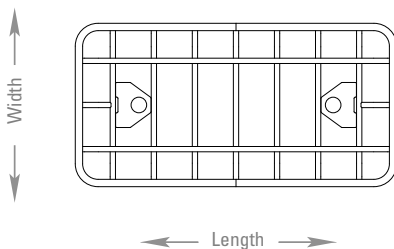
Use weight plates/kettlebells or anything with mass to keep XGAS stationary



Interlocks with TANK for transportation of all training accessories

Model number	XGAS
Footprint (L x W x H)	43.0" x 21.9" x 12.0" (109 cm x 56 cm x 31 cm)
Weight	27 lbs (12.2 kg)
Warranty	10 year frame and welds/1 year finish

TOP VIEW



Note: Weight plates and battle ropes shown in image are not included. XGASBRP4 package is available that includes four battle ropes with the XGAS.